

# NINJA™

## Express Chop™

**OWNER'S GUIDE**

NJ100C



# IMPORTANT SAFETY INSTRUCTIONS

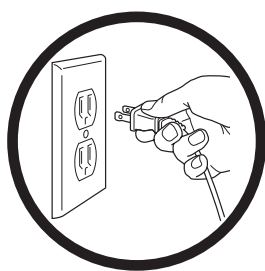
## For Household Use Only

**WHEN USING ELECTRICAL APPLIANCES, BASIC SAFETY PRECAUTIONS SHOULD ALWAYS BE FOLLOWED, INCLUDING THE FOLLOWING:**

**READ ALL INSTRUCTIONS BEFORE USING YOUR NINJA™ EXPRESS CHOP™.**

### **POLARIZED PLUG**

**WARNING:** To reduce the risk of electric shock, this appliance has a polarized plug (one blade is wider than the other). This plug will fit into a polarized outlet only one way. If the plug does not fit fully into the outlet, reverse the plug. If it still does not fit, contact a qualified electrician to install the proper outlet. **DO NOT modify the plug in any way.**



1. Close supervision is necessary when any appliance is used by or near children.
2. To protect against electric shock, **DO NOT** immerse cord, plug or any part of the main unit in water or any other liquids.
3. **DO NOT** let cord hang over edge of table or counter, or touch hot surfaces, including the stove.
4. **DO NOT** operate any appliance with a damaged cord or plug, or after the appliance malfunctions, has been dropped or damaged in any manner. Return the appliance to EURO-PRO Operating LLC for examination, repair or adjustment.
5. Unplug appliance from outlet when not in use, before putting on or removing parts and before cleaning.
6. **DO NOT** place on or near a hot gas or electric burner.
7. The use of accessory attachments, not sold or recommended by EURO-PRO Operating LLC may cause fire, electrical shock or risk of personal injury.
8. Extreme caution must be used when moving an appliance containing hot food, water or other liquids.
9. Use this appliance on a stable work surface away from water.
10. **DO NOT** remove the motor head before the chopping blades have stopped turning.
11. **CAUTION!** Chopping blades are sharp, handle with care, **especially when removing the blade from the bowl, emptying the bowl and during cleaning.** When handling the chopping blades, always hold by the plastic shaft.
12. **DO NOT attempt to sharpen blades.**

13. **DO NOT** expose containers to extreme temperature changes.
14. **DO NOT** use containers if they are cracked or chipped.
15. **DO NOT** use the appliance if chopping blades are bent or damaged.
16. Avoid contact with moving parts at all times. Keep hands, hair, clothing as well as spatulas and other utensils away from moving/cutting blades and containers during operation to prevent risk of severe personal injury and/or damage to the appliance. A scraper may be used but must be used only when the appliance is not running.
17. Exercise extreme caution when blending hot liquids.
18. Immediately release the On/Off pulse button on the motor head in the event that the appliance malfunctions during use.
19. To reduce the risk of injury, **NEVER** operate the appliance without the splash guard and bowl in place; **DO NOT** try to defeat the interlock mechanism; make sure that the cutting blades are properly assembled before operating the appliance.
20. **DO NOT** use outdoors.
21. **DO NOT** use appliance for other than intended use.
22. **DO NOT** operate the appliance for more than 15 seconds.
23. **DO NOT** operate the appliance empty.
24. If the appliance overheats, a thermal switch will become activated and shut off the motor. To reset, unplug the appliance and let it cool down for approximately 10 minutes before using again.
25. Be certain cover is secured in place before operating the appliance.

**NOTE:** This unit has a short power supply cord to reduce the risk resulting from becoming entangled in or tripping over a long cord. An extension cord may be used if you are careful in its use.

1. If using an extension cord, the electrical rating of the extension cord should be rated at least 15 amperes. Extension cords rated for less amperage may overheat.
2. An extension cord must be arranged so that it will not drape over the countertop or tabletop where it can be pulled on by children or tripped over accidentally.

## SAVE THESE INSTRUCTIONS

**THIS BOOK COVERS MODEL NUMBER:**

NJ100C 30

**TECHNICAL SPECIFICATIONS**

Voltage: 120V., 60Hz.

Power: 200 Watts

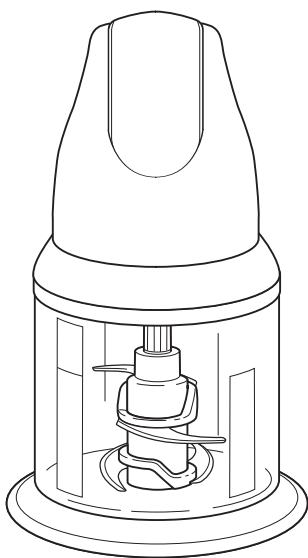
Bowl Capacity: 2 cups (16 ounces)



## Contents

Thank you for  
purchasing the  
Ninja™ Express  
Chop™.

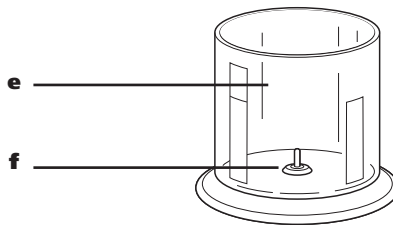
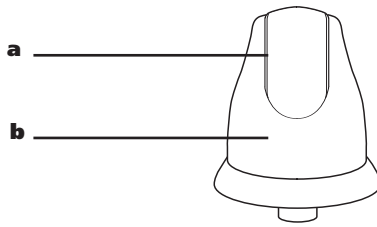
Getting Started .....	6
Using the Chopper Bowl .....	10
Cleaning and Maintenance .....	12
Troubleshooting Guide .....	12
Warranty .....	13
Registration .....	15



### FEATURES:

- **One touch pulse for precise control**
- **16 oz. Processor Bowl - BPA Free**
- **Ninja™ 4-blade technology**
- **Non slip Base**
- **Storage lid / splash guard**
- **Dishwasher safe parts**

## Getting Started



**a** On/Off Pulse Button

**b** Power Head

**c** Splash Guard / Storage Lid

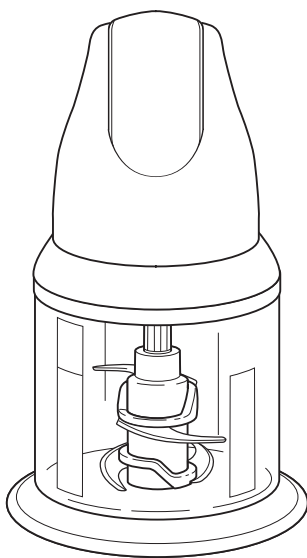
**d** Ninja™ 4-Blade

**e** Processing Bowl with Non-Slip Base

**f** Spindle Pin

**g** Power Cord (not shown)

The Ninja™ Express Chop™ is an essential tool that is perfect for chopping and pureeing when preparing your favorite recipes. For best results, be sure to carefully read all the instructions contained in the manual before using this appliance.



### **200 Watt Power Head**

The 200 watt power head operates on 120V., 60Hz. electrical power. **NEVER** allow the power head to become wet when plugged into an electrical outlet.

- ⚠ WARNING:** The power head should never be immersed in water or any other liquid.
- ⚠ CAUTION:** Make sure that the power head is unplugged from the electrical outlet and that the blades have stopped turning before attaching or removing any accessory.
- ⚠ CAUTION: Blades are sharp! Handle with care, especially when removing the blade from the bowl, emptying the bowl and during cleaning. Use extreme caution when handling the blades. Always hold them by the shaft. Do not attempt to sharpen blades.**
- ⚠ IMPORTANT:** Never run the appliance empty.

## Using the Ninja™ Express Chop™

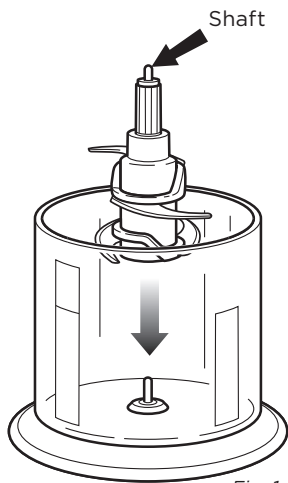


Fig. 1

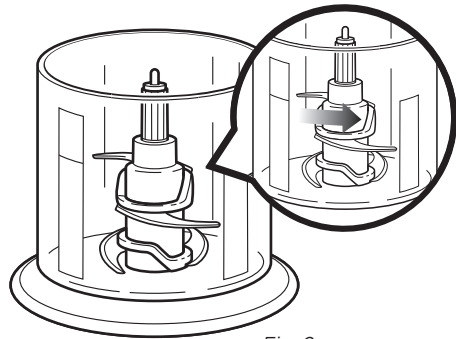


Fig. 2

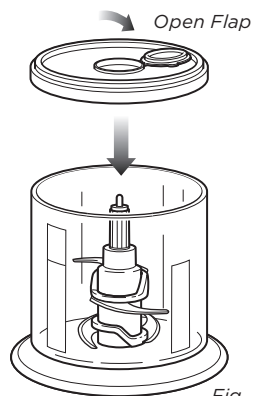


Fig. 3

**⚠ CAUTION:** Blades are sharp! Use extreme caution when handling the blades. Always hold them by the shaft.

**⚠ IMPORTANT:** Never run the appliance empty.

- 1 Place the processor bowl on a clean, dry, level surface.
- 2 Holding the chopping blade by the shaft, carefully place it over the spindle pin inside the processing bowl. (Fig. 1)

**⚠ IMPORTANT:** Always assemble the blades inside the container.

**⚠ WARNING: DO NOT** try to place the blades onto the power head and then into the Ninja™ Express Chop™.

- 3 Carefully spin the blade counter clockwise to make sure that it has inserted properly. (Fig. 2)

- 4 Place the food ingredients into the bowl.

**⚠ IMPORTANT:** Never add ingredients into the processing bowl before placing the blade assembly in first.

**NOTE: DO NOT** add more than 2 cups dry or 1 cup liquid ingredients as this may cause overflow.

- 5 Place the splash guard / storage lid on the bowl. (Fig. 3)
- 6 Open the flap on the splash guard. (Fig. 3)



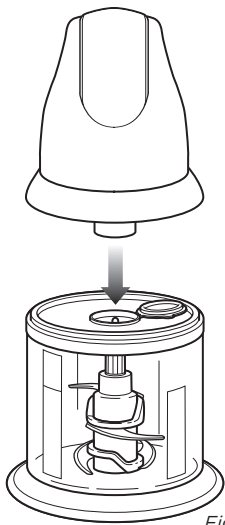


Fig. 4

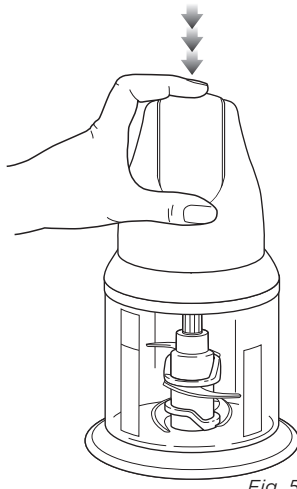


Fig. 5

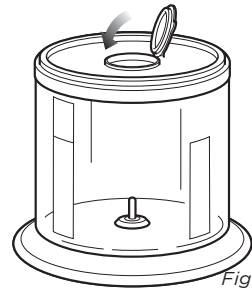


Fig. 6

- 7 Place the power head on top of the splash guard making sure that it is securely in place. (Fig. 4)
- 8 To start the appliance, plug the power cord into the electrical outlet, securely hold power head while operating and press on the on/off pulse button located on the top of the power head. (Fig. 5)
- 9 Hold the processing bowl firmly while depressing the on/off pulse button to ensure the unit stays in place.  
**NOTE: DO NOT** operate the appliance continuously for more than 15 seconds at a time. Be careful not to over process. For coarsely chopped foods, use repeated short pulsing action until the desired consistency is reached.
- 10 To stop the appliance, remove your fingers from the on/off pulse button.
- 11 In order to obtain a better quality of chopping, operate the appliance by using the “pulse” method.

- 12 Make sure that the blades have stopped completely before removing the power head.
- 13 If the ingredients stick to the side of the processing bowl, stop the appliance, remove the power head and the splash guard. Use a spatula to dislodge the pieces and then replace the splash guard and the power head. Continue processing.
- 14 Remove the blade assembly by its shaft before you empty the contents of the processing bowl.
- 15 Place the storage lid onto the top of the processing bowl and close the flap to store. (Fig. 6)

#### **HINTS & TIPS FOR USING YOUR NINJA™ EXPRESS CHOP™**

- For mincing, chopping and pureeing, increase the length of pulses.
- For coarse chopping, use short, quick pulses and monitor food texture.
- Pre-cut larger pieces to make them fit into the processing bowl. When chopping hard foods cut into 1-inch cubes.

## Cleaning and Maintenance

**⚠ CAUTION:** Make sure that the power head is unplugged from power source before inserting or removing any attachment and before cleaning.

**DO NOT** immerse the power head into water or any other liquid. Clean with a damp sponge or cloth and wipe dry.

The processing bowl, splash guard /storage lid, and chopping blade are all dishwasher safe. It is recommended to place the storage lid and the chopping blade on the top rack. Use extreme caution when handling the chopping blades as they are very sharp.

Clean the Ninja™ Express Chop™ and all parts before first use and immediately after each use.

Please call customer service if any servicing needs to be performed on the appliance at 1-800-798-7398.

## Troubleshooting Guide

PROBLEMS	POSSIBLE REASONS & SOLUTIONS
<b>Motor Doesn't Start or Blades Don't Rotate.</b>	<p>Check that the bottom of motor head is clean and there is no food blocking connection when placing on containers.</p> <p>There is too much food in the container.</p> <p>The unit has overheated. Unplug and wait approximately 10 minutes before using again.</p> <p>Make sure the power head is securely placed on splash guard.</p> <p>Check that the plug is securely inserted into the electrical outlet.</p> <p>Check fuse or breaker. Replace fuse/reset breaker.</p>
<b>Food is Unevenly Chopped.</b>	<p>Either you are chopping too much food at one time, or the pieces are too big. Try cutting the food into smaller pieces of even size and processing smaller amounts per batch.</p>
<b>Food is Chopped Too Fine or is Too Watery.</b>	<p>The food has been over processed. Use brief pulses or process for shorter time. Let blades stop completely between pulses.</p>

To purchase replacement parts, please visit our website: [www.ninjakitchen.com](http://www.ninjakitchen.com) or contact customer service: 1-800-798-7398.



## ONE (1) YEAR LIMITED WARRANTY

**EURO-PRO Operating LLC** warrants this product to be free from material defects and workmanship for a period of one (1) year from the date of purchase when utilized for normal household use, subject to the following conditions, exclusions and exceptions.

The liability of **EURO-PRO Operating LLC** is limited solely to the cost of the repair or replacement of the unit at our option. This Limited Warranty does not cover normal wear of parts and does not apply to any unit that has been tampered with or used for commercial purposes. This Limited Warranty does not cover damage caused by misuse, abuse, negligent handling or damage due to faulty packaging or mishandling in transit. This Limited Warranty does not cover damage or defects caused by or resulting from damages from shipping or repairs, service or alteration to the product or any of its parts, which have been performed by a repair person not authorized by **EURO-PRO Operating LLC**.

If your appliance fails to operate properly while in use under normal household conditions within the Limited Warranty period, you may return the complete appliance and accessories with proof of purchase and date, freight prepaid. For Customer Service support, call 1-800-798-7398 or visit our website [www.ninjakitchen.com](http://www.ninjakitchen.com).

If the appliance is found by **EURO-PRO Operating LLC** to be defective, in **EURO-PRO Operating LLC's** sole discretion, we will repair or replace it free of charge. Proof of purchase date and a check made payable to **EURO-PRO Operating LLC** in the amount of \$ 9.95 to cover the cost of return shipping and handling must be included.\*

This Limited Warranty is extended to the original purchaser of the unit and excludes all other legal, implied and/or conventional warranties. The responsibility of **EURO-PRO Operating LLC** if any, is limited to the specific obligations expressly assumed by it under the terms of this Limited Warranty. **In no event is EURO-PRO Operating LLC** liable for incidental or consequential damages to anyone of any nature whatsoever. Some states do not permit the exclusion or limitation of incidental or consequential damages, so the above may not apply to you.

This Limited Warranty gives you specific legal rights, and you may also have other rights which vary from state to state or from province to province.

**\*IMPORTANT: Carefully pack item to avoid damage in shipping. Be sure to include proof of purchase date and to attach tag to item before packing with your name, complete address and phone number with a note giving purchase information, model number and what you believe is the problem with the item. We recommend you insure the package (as damage in shipping is not covered by your Limited Warranty). Mark the outside of your package "ATTENTION CUSTOMER SERVICE". We are constantly striving to improve our products, therefore the specifications contained herein are subject to change without notice.**



## OWNERSHIP REGISTRATION CARD

Please fill out and mail the product registration card within ten (10) days of purchase. The registration will enable us to contact you in the unlikely event of a product safety notification. By returning this card you acknowledge to have read and understood the instructions for use, and warnings set forth in the accompanying instructions.

Mail to the following address:

- EURO-PRO Operating LLC  
4400 Bois Franc, St.Laurent, Québec, Canada H4S 1A7

Owner's Name:

Address:

City:

Province:

Postal Code:

<input type="text"/>	<input type="text"/>	<input type="text"/>
----------------------	----------------------	----------------------

Date Purchased:

Name of Store:

Appliance Model:

**NINJA**



Euro-Pro Operating LLC  
US: Newton, MA 02459  
CAN: Ville St-Laurent, QC H4S 1A7

1-800-798-7398

**[www.ninjakitchen.com](http://www.ninjakitchen.com)**

Copyright © 2011 Euro-Pro Operating LLC

Printed in China

Illustrations may differ from actual product.

NJ100C.E.110414.1